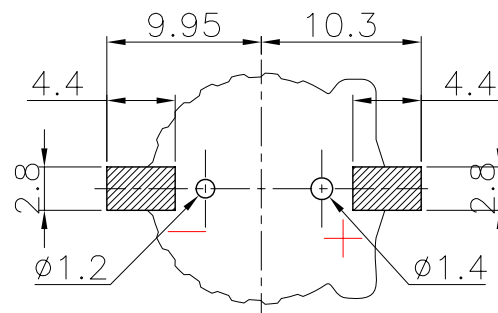
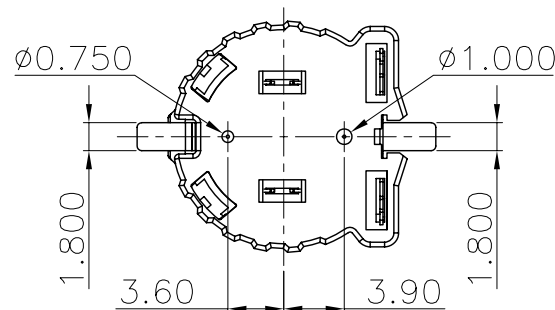
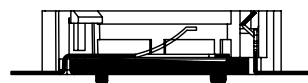
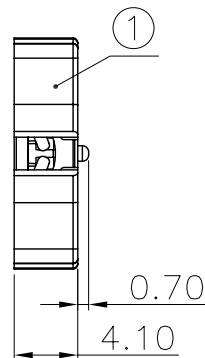
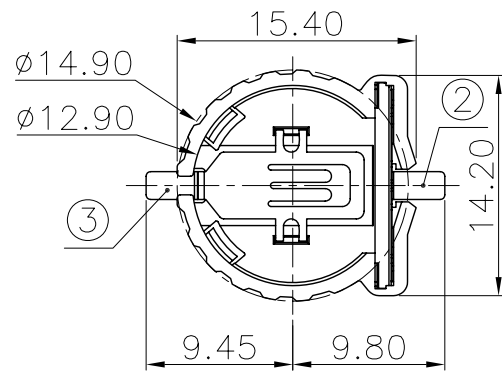




| | | | |
|------|---------|---------|------|
| REV. | ECN NO. | REVISED | DATE |
| | | | |



PCB Layout Diagram
Top View

1.MATERIAL:
 a.HOUSING:PPA
 b.CONTACT:PHOSPHOR BRONZE
 (SURFACE PLATING:AU1U")
 SEE ORDERING INFORMATION

2.ELECTRIC:
 a.CONTACT RESISTANCE: 30 MILLIOHMS MAX
 b.INSULATION RESISTANCE: 1000 MEGA OHMS MIN
 c.DIELECTNIC VOLTAGE: 500V AC ONE SEC LEVEL
 d.OPERATING TEMPERATURE: -25°C~ +85°C

ORDERING INFORMATION

BS-12-B***010

电池座系列

BS-12系列

SMT 180° TYPE

PLATING:
 A-Au1U"
 J-Ni100U"~120U"
 K-Sn100U"~120U"

MATERIAL:
 1A-PBT BLACK
 1B-PA66 BLACK
 2A-PPA BROWN
 2B-PPA BLACK
 3A-PPS BROWN
 3B-PPS BLACK
 4A-LCP WHITE
 4B-LCP BLACK



| | | | | |
|-----|-------------|------|---------------------------|-----------------------------------|
| 3 | TERMINAL(-) | 1 | PHOSPHOR BRONZE, T=0.20mm | Gold Plating and Ni Under-Plating |
| 2 | TERMINAL(+) | 1 | PHOSPHOR BRONZE, T=0.20mm | Gold Plating and Ni Under-Plating |
| 1 | HOUSING | 1 | PPA | BROWN |
| NO. | PART NAME | Q'TY | MATERIAL | PLATING & COLOR |

| | | | |
|--|---------------------------------|--|-----------------|
| UNLESS OTHERWISE SPECIFIED TOLERANCES | | 深圳市欧迅光电科技有限公司 SHENZHEN OXUN PHOTOELECTRIC TECHNOLOGY CO., LTD | |
| DECIMALS: X :±0.30 X.X :±0.25 X.XX :±0.20 X.XXX :±0.10 | ANGLES: X :±1° X.X :±0.5° | DSND YangFeng | DATE 2017-06-28 |
| | | CHKD ZhouRuicai | DATE 2017-06-28 |
| | | APVD XueShunyong | DATE 2017-06-28 |
| WEIGHT: 0.63g | | SCALE: 2:1 | SIZE: A4 |
| SHEET 1 OF 1 | | VIEW: | REV.: A/0 |
| | | UNIT: mm | OBJECT: MY |
| | | TITLE: BS-1220-2 PPA SMT 负极加宽 | |
| | | PART NO.: BS-12-B2AA010 | |
| | | DRAW NO.:MY-CP-0054 | |