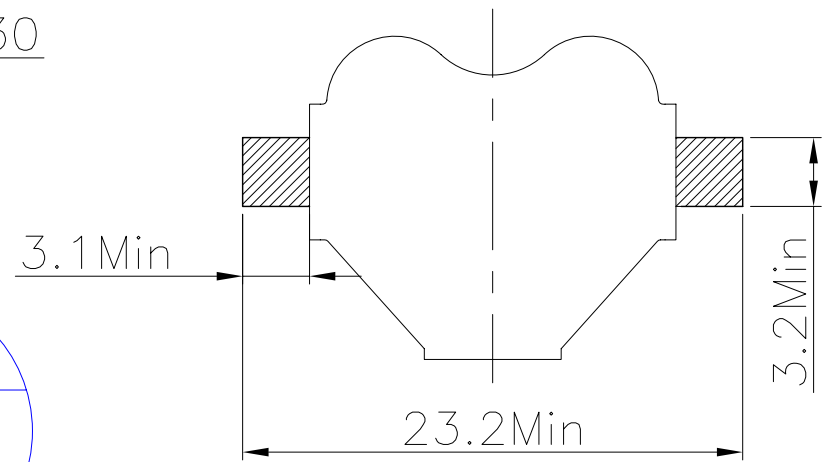
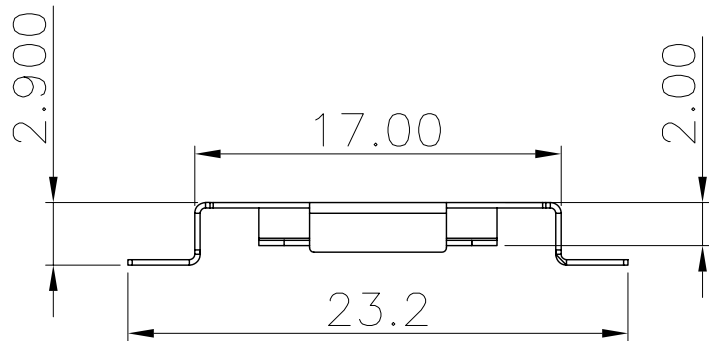
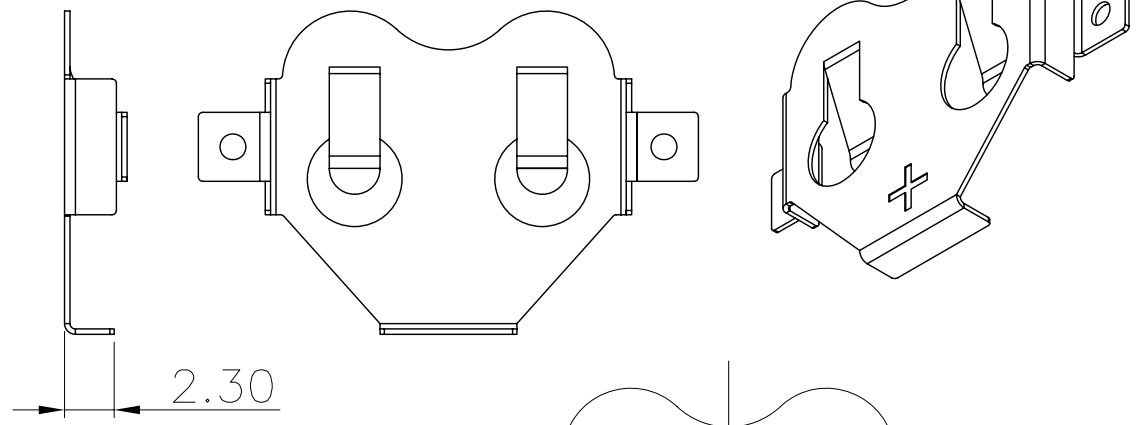
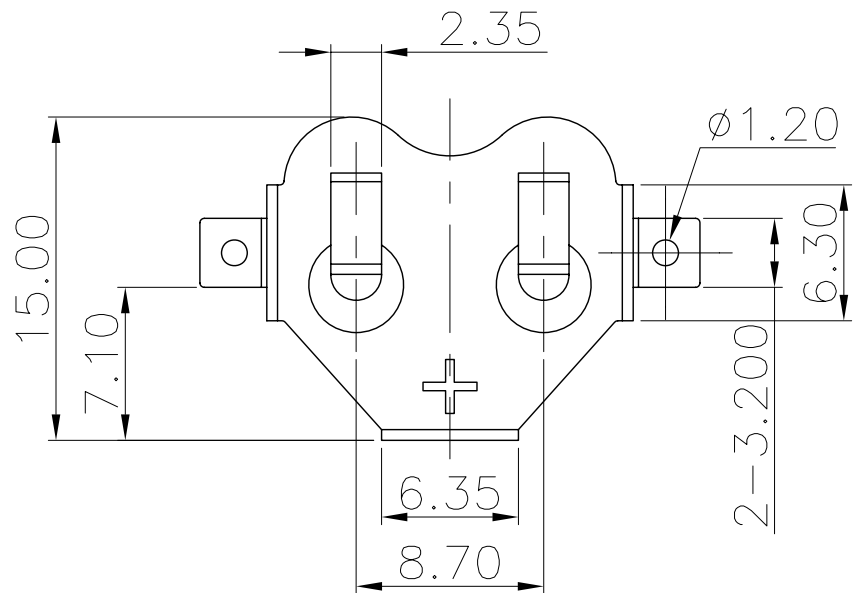




A型

REV.	ECN NO.	REVISED	DATE



工程部  
2017-03-10  
ZW DANG

PCB Layout Diagram  
Top View

3				
2				
1	TERMINAL(+)	1	PHOSPHOR BRONZE, T=0.25mm	Ni-Plating
NO.	PART NAME	Q'TY	MATERIAL	PLATING & COLOR

UNLESS OTHERWISE SPECIFIED TOLERANCES		深圳市欧迅光电科技有限公司 SHENZHEN OXUN PHOTOELECTRIC TECHNOLOGY CO., LTD			
DECIMALS: X :±0.30 X.X :±0.25 X.XX :±0.20 X.XXX :±0.10	ANGLES: X :±1° X.X :±0.5°	DSND	YangFeng	DATE	2017-03-10
		CHKD	ZhouRuicai	DATE	2017-03-10
		APVD	XueShunyong	DATE	2017-03-10
WEIGHT: 0.53g		SCALE: 3:1	SIZE: A4	VIEW:	
SHEET 1 OF 1		UNIT: mm	REV.: A/0	OBJECT: MY	TITLE: 电池扣CR1620
				PART NO.: MY-1620-01	
				DRAW NO.:MY-CP-0043	