



|      |         |         |      |
|------|---------|---------|------|
| REV. | ECN NO. | REVISED | DATE |
|      |         |         |      |

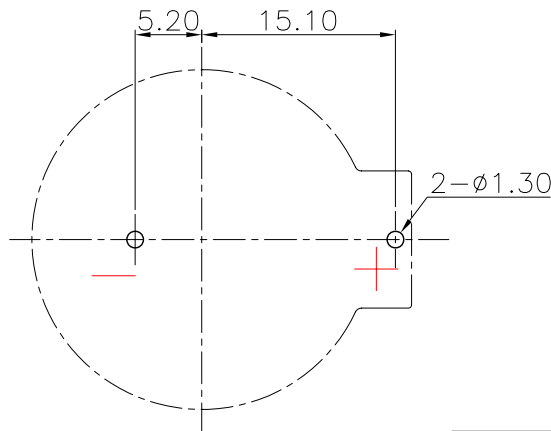
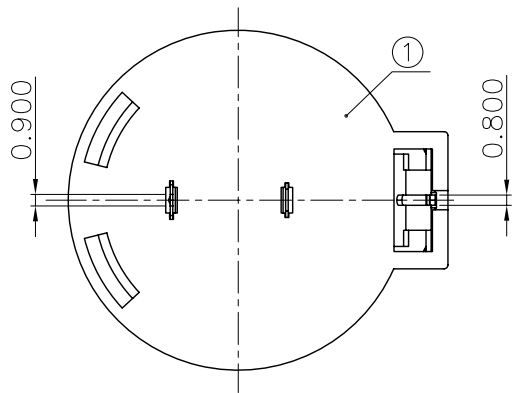
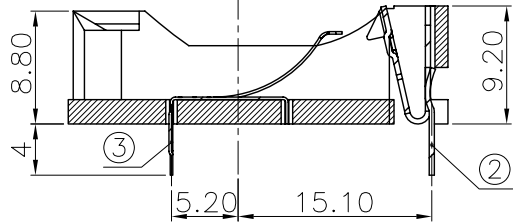
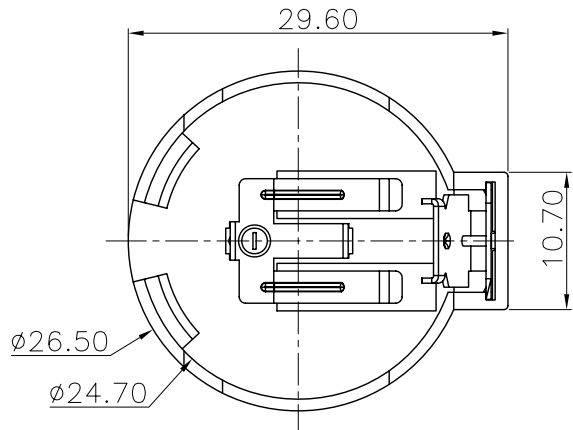
## NOTE:

## 1.MATERIAL:

- a.HOUSING:PBT  
 b.CONTACT:PHOSPHOR BRONZE  
 (SURFACE PLATING: Ni100u"-120u")  
 SEE ORDERING INFORMATION

## 2.ELECTRIC:

- a.CONTACT RESISTANCE: 30 MILLIOHMS MAX  
 b.INSULATION RESISTANCE: 1000 MEGA OHMS MIN  
 c.DIELECTNIC VOLTAGE: 500V AC ONE SEC LEVEL  
 d.OPERATING TEMPERATURE: -25°C ~ +85°C



PCB Layout Diagram  
Top View

### ORDERING INFORMATION

## BS-24-A\*\*\*005

电池座系列

BS-24系列

DIP 90° TYPE

PLATING:  
 A-Au1U"  
 J-Ni100U"~120U"  
 K-Sn100U"~120U"

MATERIAL:  
 1A-PBT BLACK  
 1B-PA66 BLACK  
 2A-PPA BROWN  
 2B-PPA BLACK  
 3A-PPS BROWN  
 3B-PPS BLACK  
 4A-LCP WHITE  
 4B-LCP BLACK



| NO. | PART NAME   | Q'TY | MATERIAL                 | PLATING & COLOR |
|-----|-------------|------|--------------------------|-----------------|
| 3   | TERMINAL(-) | 1    | PHOSPHOR BRONZE,T=0.20mm | Ni Plating      |
| 2   | TERMINAL(+) | 1    | PHOSPHOR BRONZE,T=0.40mm | Ni Plating      |
| 1   | HOUSING     | 1    | PBT                      | BLACK           |

|  |                                 |   |                 |
|--|---------------------------------|---|-----------------|
| UNLESS OTHERWISE SPECIFIED TOLERANCES                              |                                 | 深圳市欧迅光电科技有限公司<br>SHENZHEN OXUN PHOTOELECTRIC TECHNOLOGY CO.,LTD |                 |
| DECIMALS:<br>X :±0.30<br>X.X :±0.25<br>X.XX :±0.20<br>X.XXX :±0.10 | ANGLES:<br>X :±1°<br>X.X :±0.5° | DSND YangFeng   | DATE 2017-07-15 |
| WEIGHT:2.71g   |                                 | CHKD ZhouRuicai   | DATE 2017-07-15 |
| SHEET 1 OF 1   |                                 | APVD XueShunyong  | DATE 2017-07-15 |
| UNIT: mm   | REV.: A/0                       | SCALE: 2:1  | VIEW:           |
| SIZE: A4   | OBJECT: MY                      | TITLE:  | BS-2450-1带筋     |
|  |                                 | PART NO.:   | BS-24-A1AJ005   |
|  |                                 | DRAW NO.:   | MY-CP-0037      |